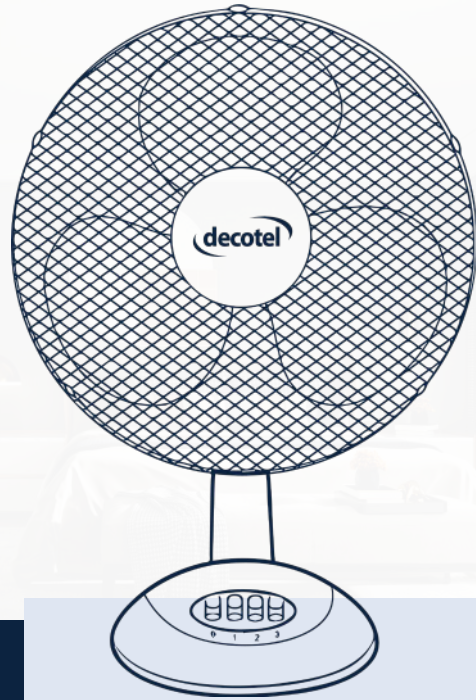


UK SKU: CB00415

www.decotel.com

EU SKU: CB00415E



## INSTRUCTIONS

# 12" Desk Fan

*Ventilateur de Bureau*  
*Tischventilator*  
*Ventilador de Sobremesa*



Please read these instructions carefully before use

# Content

03 - 08 EN - Instructions for use

# Features

Size: 12-Inch

Weight: 1.8 kg

Dimensions: D: 240 x W :340 x H:480 mm  
*(approx)*

Power: 35W, 230V/50Hz

Speed Settings: 3-speed control

Blades: 3 durable PP blades

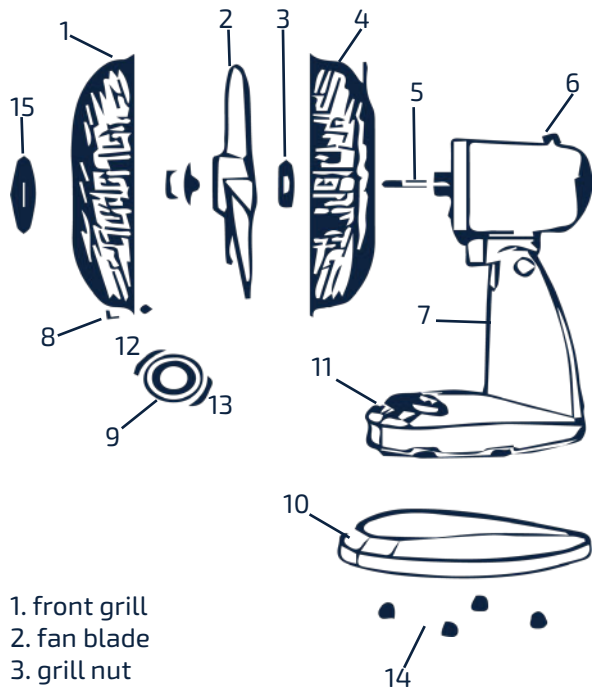
Grill: Mesh safety grill

Cord: 1.5m power cord (2\*0.5mm<sup>2</sup>)

Motor: Copper motor for reliability

Features: Adjustable tilt & oscillation

# Details



1. front grill
2. fan blade
3. grill nut
4. back grill
5. motor shaft
6. oscillating control
7. body
8. screw and nut for grill
9. blade nut
10. base
11. speed control
12. tighten – turn to anti-clockwise
13. loosen- turn clockwise
14. feet
15. decorative ring

# Instructions

## 1. Introduction

This fan is designed specifically for hotel and hospitality use, offering:

- **Compact size:** Ideal for guest rooms and public areas.
- **Safe operation:** Built-in safety features ensure protection for both guests and staff.
- **Energy-efficient:** Designed to operate efficiently, contributing to energy conservation in hospitality environments.
- **Durable construction:** Built to withstand daily use in high-traffic settings.

## 2. Before First Use

- **Inspect the fan:** Check for any signs of damage during transport. Do not use if the fan appears damaged.
- **Assemble the fan:** Follow the assembly instructions (point 3.) in this manual before use.
- **Test functionality:** Plug the fan into a properly earthed outlet (220-240V), and ensure it operates correctly on all speed settings.

## 3. Assembly Instructions

### **Step 1:** Attach the Fan Body to the Base:

- Insert the fan body into the base and ensure the clips latch securely.
- Attach the four feet into the holes on the base cover for added stability.

### **Step 2:** Install the Rear Grill:

- Unscrew the grill nut counterclockwise to remove it.
- Position the rear grill with the handle facing upwards and securely screw the grill nut back on.

### **Step 3:** Mount the Blade:

- Slide the fan blade onto the motor shaft, ensuring the retaining pin fits into the blade's notch.

# Instructions

- Tighten the blade nut by turning counterclockwise to secure the blade.

## **Step 4:** Attach the Front Grill:

- Attach the front grill to the rear grill by hooking the top clips and securing the clasps around the perimeter.
- Insert the screw through the bottom edge of the front grill and tighten.

## 4. Important Safety Notes

- **Placement:** Always place the fan on a flat, stable surface, ensuring that it is kept away from water sources like sinks or bathrooms.
- **Electrical connection:** Ensure the fan is plugged into a properly earthed outlet (220-240V, 50/60Hz). Do not use the fan with any damaged plugs, cords, or if it malfunctions.
- **Supervision:** Close supervision is necessary when the fan is used by or near children.
- **Fan maintenance:** Ensure the fan is switched off and unplugged before cleaning or moving.
- **Children's safety:** Keep the fan and its cord out of reach of children.

## 5. Usage Instructions

- **Speed Control:** The fan has a speed control button for three settings: Low (1), Medium (2), and High (3). To operate, simply press the button to select the desired speed.
- **Oscillation Control:** To activate the oscillation feature, press down the oscillation knob. To stop oscillation, pull the knob up when the fan is positioned as desired.
- **Tilt Control:** Adjust the airflow by tilting the fan head up or down to the preferred angle.

# Instructions

## 6. Cleaning & Instructions

- Daily cleaning: Wipe the fan's exterior with a soft, damp cloth. Do not immerse the fan or allow water to enter the motor housing.
- Blade and Grill Maintenance: To clean the fan blades and grills, follow these steps:
  - Turn off the fan and unplug it.
  - Remove the front grill and unscrew the blade nut.
  - Carefully clean the blades and grills with a damp cloth.
  - Reassemble the fan as per the assembly instructions.
- Prohibited actions: Do not submerge the fan, motor, or base in water. Avoid using harsh chemicals or abrasive cleaners that may damage the surface.

## 7. Disposal

- Electronic waste disposal: Dispose of the fan in accordance with local electronic waste regulations. Encourage responsible recycling practices.

# Troubleshooting

## 1. Machine Not Powering On:

- Ensure the fan is plugged in correctly. If there is no power, check the fuse and replace it (13amp) if necessary.

## 2. Overheating or Running Dry:

- If the fan overheats or runs dry, unplug immediately. Allow the fan to cool, then resume use.

## 3. Fan Malfunction:

- If the fan is damaged or does not function properly, contact a qualified technician for repairs.

For persistent issues, contact a qualified technician. Do not attempt repairs yourself.







Decotel Ltd  
Loughborough, United Kingdom  
T: +44 (0)1509 264 422  
E: sales@decotel.com

Decotel Europe SL  
Valencia, Spain  
T: +34 961 21 37 43  
E: sales-eu@decotel.com