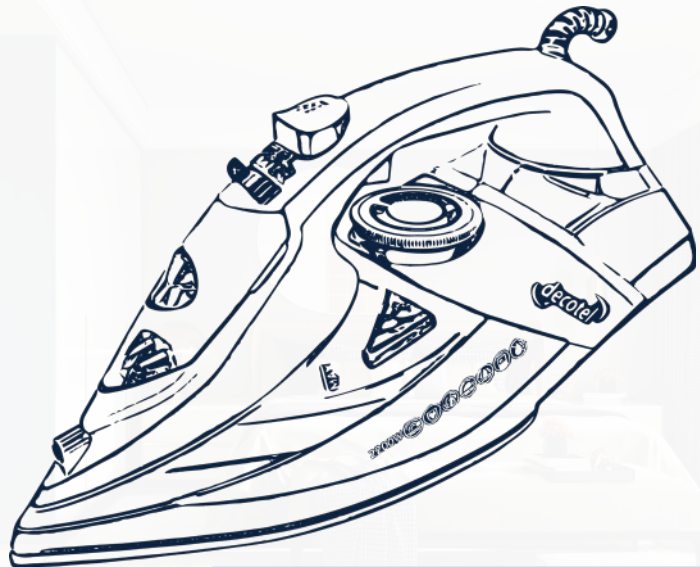


UK SKU: CA00194

www.decotel.com

EU SKU: CA00194E



## INSTRUCTIONS

# Eclipse Ceramic Steam Iron

*Fer à Repasser Vapeur en Céramique*  
*Keramik-Dampfbügeleisen*  
*Plancha de Vapor de Cerámica*



Please read these instructions carefully before use

# Content

03 - 07 EN - Instructions for use

# Features

2200W Power, 220-240V, 50Hz

Weight: 1.33 Kg

350ml Water Tank

3 Metre 360° Power Lead

Stylish Eclipse Blue and Black Finish

Variable Temperature and Steam Controls

Ceramic Non-Stick Soleplate

Anti Calc

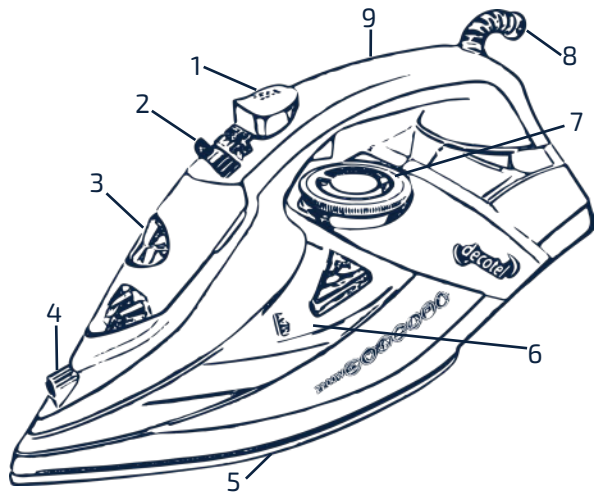
Anti Drip

Auto Shut Off Functions

Self-Clean Function

Power Indicator light

# Details



1. spray button / burst stream button
2. steam switch
3. water cover
4. spray nozzle
5. sole plate
6. water tank
7. temperature knob
8. cord protector
9. handle

# Instructions

## 1. Introduction

Thank you for choosing this hotel steam iron. Designed for efficiency and ease of use, this iron ensures optimal performance for hotel guests. Please read these instructions carefully before use to ensure safe operation and proper maintenance.

## 2. Before First Use

- Remove all packaging materials and check the iron for any visible damage. Do not use if damaged.
- Wipe the soleplate with a damp cloth to remove any residue from manufacturing.
- Fill the water tank with clean tap water up to the maximum fill line.
- Plug in the iron and set it to the highest temperature. Allow it to heat up and pass steam for a few minutes to remove any residues.
- Empty the water tank and refill before first use.

## 3. Important Safety Notes

- Always use the iron on a stable, heat-resistant surface.
- Never leave the iron unattended when plugged in.
- Ensure the voltage of the iron matches the power supply.
- Do not immerse the iron in water or any other liquid.
- Keep out of reach of children and ensure the cord does not hang over edges where it could be pulled.
- Unplug the iron after use and allow it to cool before storing.
- Do not operate the iron with a damaged cord or plug. If damaged, discontinue use immediately.
- Do not overfill the water tank to prevent leaks.
- Ensure hands are dry when operating the iron to avoid electrical hazards.

## 4. Operating Instructions

- **Filling the Water Tank:** Open the water inlet cover and fill with clean tap water up to the max line. Close securely. Never directly from tap.
- **Temperature Selection:** Turn the dial to the

# Instructions

appropriate setting based on fabric type:

Low (•) – Synthetic fabrics (nylon, acrylic, polyester)

Medium (••) – Silk, wool

High (•••) – Cotton, linen

- **Ironing with Steam:** Ensure the iron is set to a suitable temperature. Press the steam button intermittently for bursts of steam.
- **Vertical Steaming:** Hold the iron upright and press the steam button to remove wrinkles from hanging garments.
- **Automatic Shut-Off:** If the iron remains stationary for a set period, it will automatically turn off as a safety feature.

## 5. Maintenance and Cleaning

- **Cleaning the Soleplate:** Wipe with a damp cloth after cooling. Avoid abrasive cleaners.
- **Descaling the Iron:** Use a mix of water and vinegar to prevent mineral buildup. Follow the manufacturer's recommended descaling process.
- **Storage:** Empty the water tank before storing. Wrap the cord loosely to prevent damage.
- **Cord Care:** Check regularly for wear and tear. Replace if frayed or damaged.

## 6. Disposal

- Dispose of the iron in accordance with local electronic waste regulations.
- Do not dispose of with regular household waste.
- Take to an appropriate recycling facility or return to an approved collection point.

# Troubleshooting

## 1. Iron not heating

- Ensure it is plugged in and the power outlet is functioning.

## 2. Low steam output

- Check water level and ensure the temperature setting is high enough.

## 3. Water leakage

- Do not overfill the tank. Ensure the iron is heated before use.

## 4. Soleplate sticking to fabric

- Reduce the temperature for delicate fabrics and clean the soleplate.

## 5. Iron turns off unexpectedly

- Automatic shut-off has activated. Move the iron to reset it.





Decotel Ltd  
Loughborough, United Kingdom  
T: +44 (0)1509 264 422  
E: sales@decotel.com

Decotel Europe SL  
Valencia, Spain  
T: +34 961 21 37 43  
E: sales-eu@decotel.com