

UK SKU: CB00030
EU SKU: CB00030E

www.decotel.com



INSTRUCTIONS

Azure Compact Hairdryer

Sèche-Cheveux Compact
Kompakter Haartrockner
Secador de Pelo Compacto



Please read these instructions carefully before use

Content

03 - 07 EN - Instructions for use

Features

1600-2000W

220-240V, 50/60Hz

Approx 560g

Styling concentrator

ON-OFF switch

3 speed & 3 temperature settings

Black with blue metallic strip

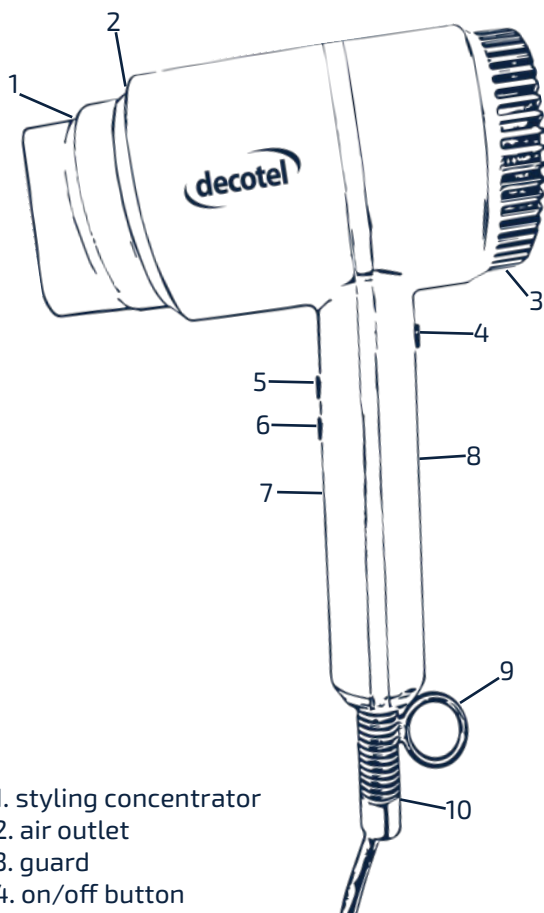
3.0m cable

Hanging loop

LED light

Ionic function

Details



- 1. styling concentrator
- 2. air outlet
- 3. guard
- 4. on/off button
- 5. cold air button (blue)
- 6. warm air button (red)
- 7. led display
- 8. handle
- 9. hanging loop
- 10. anti-kink protection

Instructions

1. Introduction

- Designed for high-performance drying and styling in hotel environments
- Ideal for guest bathrooms, suites, and other hospitality spaces
- Safe, efficient, and user-friendly
- Multiple heat and airflow settings for versatile use
- Anti-kink protection and removable guard for easy maintenance

2. Before First Use

- **Examine the Power Cord and Plug** - Check for any visible damage on the power cord or plug. Do not use the device if any damage is observed.
- **Clean the Air Intake and Outlet** - Wipe the air intake and outlet gently with a dry cloth to remove any dust or particles from storage.
- **Test Settings** - Plug in the dryer and briefly test each heat and airflow setting to ensure proper functionality before using it on hair.

3. Important Safety Notes

- Only use the device as specified in the instructions.
- Suitable for users aged 8+ and those with reduced physical, sensory, or mental capabilities if supervised or instructed on safe use.
- Children must not play with the device or perform cleaning and maintenance unsupervised.
- Avoid using the device near bathtubs, showers, or any water-filled containers.
- Never submerge the device in water. If it falls into water, turn off the power at the fuse box before unplugging.
- For bathroom use, always unplug after each use to prevent hazards from residual moisture.
- A residual current device (RCD) with a rated tripping current of 30 mA is recommended for added bathroom safety.
- Do not use if the device or power cable is damaged.
- Avoid pulling, twisting, or wrapping the cable around the device.
- Ensure the air outlet and removable guard are not obstructed to prevent overheating.



Instructions

4. Usage Instructions

4.1. Dry hair with a towel before using.

4.2 Stand on a dry, non-conductive surface with dry hands.

4.3 Press the ON/OFF button to start. The dryer begins on the medium warm air setting (two red LEDs).

4.4 Use the warm or cold air buttons to select airflow:

- One LED: Gentle airflow
- Two LEDs: Powerful airflow
- Three LEDs: Maximum airflow

4.5 Style hair as desired and turn off the dryer with the ON/OFF button after use.

4.6 Unplug and allow the device to cool fully on a heatproof surface before storing.

5. Cleaning and Maintenance

- Disconnect from the power source and allow to cool.
- Clean the removable guard periodically to prevent buildup.
- Use a soft, dry cloth to wipe down the device. Avoid solvents like alcohol or gasoline.

6. Disposal

Dispose of the device responsibly according to local waste regulations. For collection or recycling information, contact local waste authorities or a municipal waste service

Troubleshooting

1. Device Doesn't Start

- Check if the power plug is fully inserted.
- Verify that the outlet is functional.

2. No Airflow or Low Airflow

- Ensure the air outlet isn't blocked.
- Check if the guard is clean and free of debris.

3. Device Overheats

- Confirm that the air outlet and guard aren't obstructed.
- Allow the device to cool if it has been used for an extended period.

4. No Heat or Only Cold Air

- Check that the warm air button is selected.
- Confirm LED lights are displaying correctly for your selected heat setting.

For persistent issues, contact a qualified technician. Do not attempt repairs yourself.





Decotel Ltd
Loughborough, United Kingdom
T: +44 (0)1509 264 422
E: sales@decotel.com

Decotel Europe SL
Valencia, Spain
T: +34 961 21 37 43
E: sales-eu@decotel.com