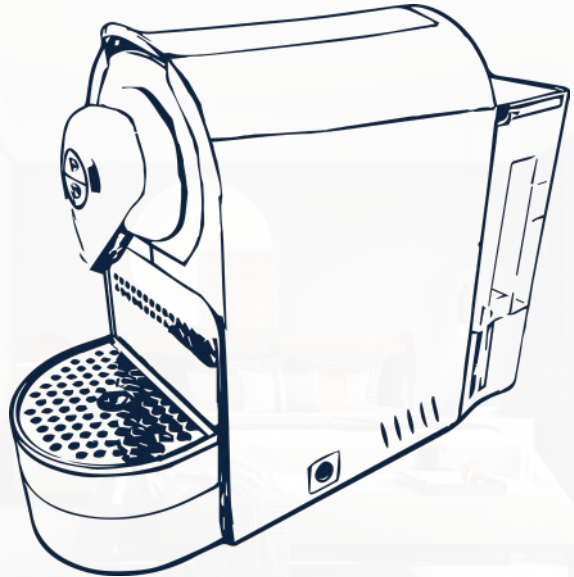


UK SKU: CB00653
EU SKU: CB00653E

www.decotel.com



INSTRUCTIONS

Milano Coffee Machine

Machine à Café
Kaffeemaschine
Máquina de Café

Please read these instructions carefully before use

decotel
Delivering Excellence
in Hotels & Hospitality

Content

03 - 07 EN - Instructions for use

Features

1400W

220-240V/110-120V 50/60Hz

Dimensions: H: 230 x D: 302 x W 118 mm

Black ABS with Chrome Finish

19-Bar Italian Pump

Nespresso Capsule Ready

Water Tank Capacity: 700ml

Capsule Container Capacity: 14 pcs

Auto-Stop

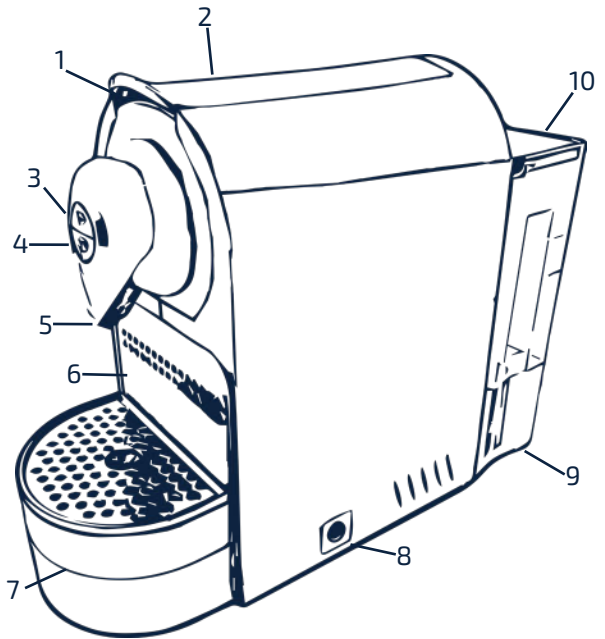
Two Cup Sizes

On - Off Switch

Non-Slip Silicone Feet

Energy Saving

Details



1. capsule insertion slot
2. capsule loading & ejection cover
3. short coffee (45ml) brew button
4. long coffee (100ml) brew button
5. dispensing spout
6. capsule collection bin
7. adjustable drip tray with removable insert
8. main power switch
9. water tank
10. water tank cover

Instructions

1. Introduction

- Compact coffee machine designed specifically for hotels and hospitality environments.
- Uses single-serving capsules to produce “short coffee” (espresso) and “long coffee” (lungo) options.
- User-friendly with quick setup, ensuring high-quality coffee consistently with minimal maintenance.

2. Before First Use

- Rinse the water tank and fill it with clean, cold water.
- Place the machine on a stable, heat-resistant surface, away from any heat sources or damp areas.
- Power on the machine and run a full cycle with water only to flush the system.

3. Important Safety Notes

- In emergencies, unplug the machine immediately from the socket.
- Only connect the machine to accessible, grounded power outlets matching the voltage specified on the unit.
- Avoid pulling the cord over sharp surfaces, and keep it away from moisture and heat.
- If the cord is damaged, it must be replaced by an authorized technician or service agent.
- Do not place the machine near open flames or hot surfaces like stovetops or radiators.
- Always use the machine on a horizontal, stable surface that can resist heat and liquids.
- Disconnect the machine when unused for an extended period, pulling the plug—not the cord.
- Protect the machine from prolonged exposure to direct sunlight and high humidity.
- Intended for indoor use only, specifically in hotels, offices, and similar environments.
- Children should use the machine only under adult supervision; keep it out of reach of those under 8.
- This appliance can be used by individuals with reduced physical, sensory, or mental abilities only under supervision and with instruction about safe operation.

Instructions

- Avoid touching the cord or plug with wet hands.
- Never submerge the machine or any part of it in water or place it in a dishwasher.
- The machine and its components should not be opened at any time.
- Only compatible single-serving capsules should be used.

4. Usage Instructions

4.1. Filling the Water Tank: Open the water tank lid and fill with fresh, cold water.

4.2 Powering On: Press the on/off switch to activate the machine.

4.3 Heating Up: Once powered on, the “short coffee” and “long coffee” buttons will flash, indicating the machine is heating. This should complete within 30 seconds.

4.4 Preparing Coffee:

- Place a cup under the spout.
- Open the capsule compartment, insert a compatible capsule, and close securely.
- Press either the “short coffee” (similar to espresso) or “long coffee” (similar to lungo) button, and the machine will dispense the coffee. It will automatically stop when the set volume is reached.

4.5 Stopping Dispensing Early: To stop dispensing mid-cycle, press the selected coffee button again.

4.6 Used Capsule Collection: Once brewing is complete, opening the lid will release the used capsule into the container.

5. Maintenance and Cleaning

- **Water Tank:** Refill every 3 days if not in use.
- **Capsule Container & Drip Tray:** Empty and wash with mild soap regularly.
- **Spout:** Wipe with a damp cloth as needed.
- **Descaling:** Descale monthly with a suitable agent and rinse the tank thoroughly afterward.

Troubleshooting

1. Machine Not Powering On:

- Check the power socket, plug, and fuse. Try pressing the on/off switch again.

2. No Coffee Dispensing:

- Ensure the water tank is filled. Insert a capsule and check for any blockages in the capsule compartment.

3. Low Temperature:

- Preheat the cup before dispensing or descale the machine if necessary.

4. Unusual Coffee Flow or Leaks:

- Check that the water tank is correctly positioned. Clean the spout and inspect the capsule compartment for blockages.

For persistent issues, contact a qualified technician. Do not attempt repairs yourself.





Decotel Ltd
Loughborough, United Kingdom
T: +44 (0)1509 264 422
E: sales@decotel.com

Decotel Europe SL
Valencia, Spain
T: +34 961 21 37 43
E: sales-eu@decotel.com